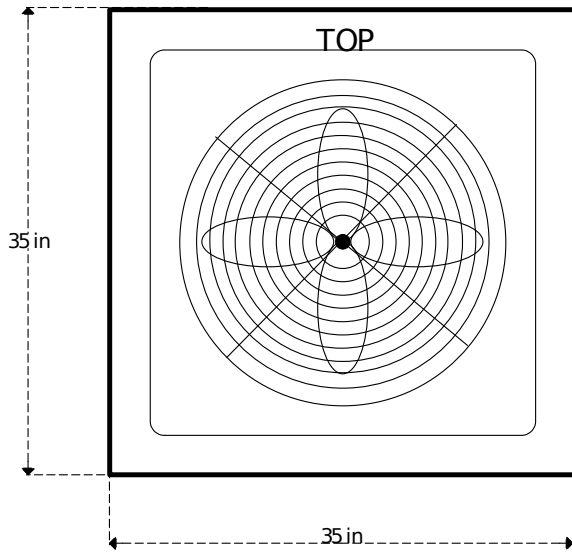


CHILLKING

Chiller Systems

MODEL GV60CK4-LT

- Low temperature chiller
- 60,000 BTU/HR at 50F LWT and 90F ambient
- 30,000 BTU/HR at 25F LWT and 90F ambient
- Electrical: 460V, 60hz three phase
- Minimum Circuit Ampacity: 13, Maximum Fuse Size 20 Amps
- One 44 gallon stainless steel tank with Chilling evaporator coil inside
- 1 HP water pump: 47 GPM max, 49 PSI max
- R410a Refrigerant
- One 60,000 BTU/HR Copeland scroll compressor
- Approximate shipping weight 800 LBS
- Dimensions: 35" wide, 35" long, 76-1/4" tall
- Decibels: 77



FRONT

REAR

