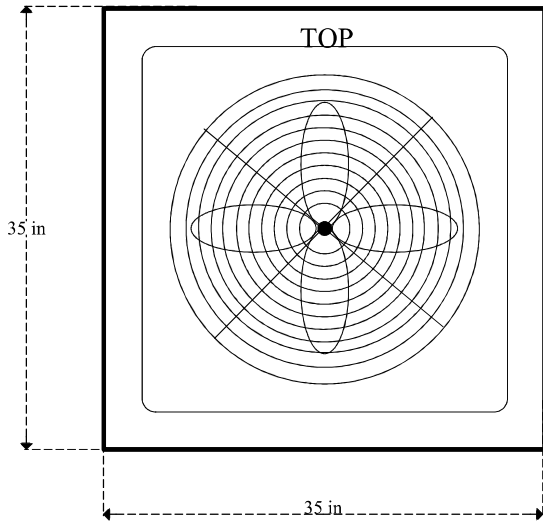


CHILLKING

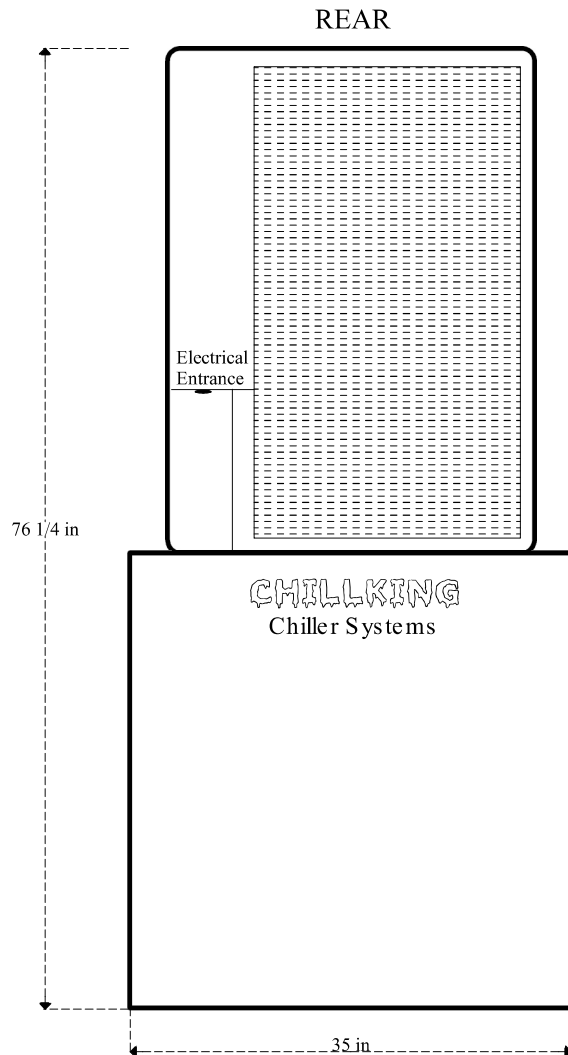
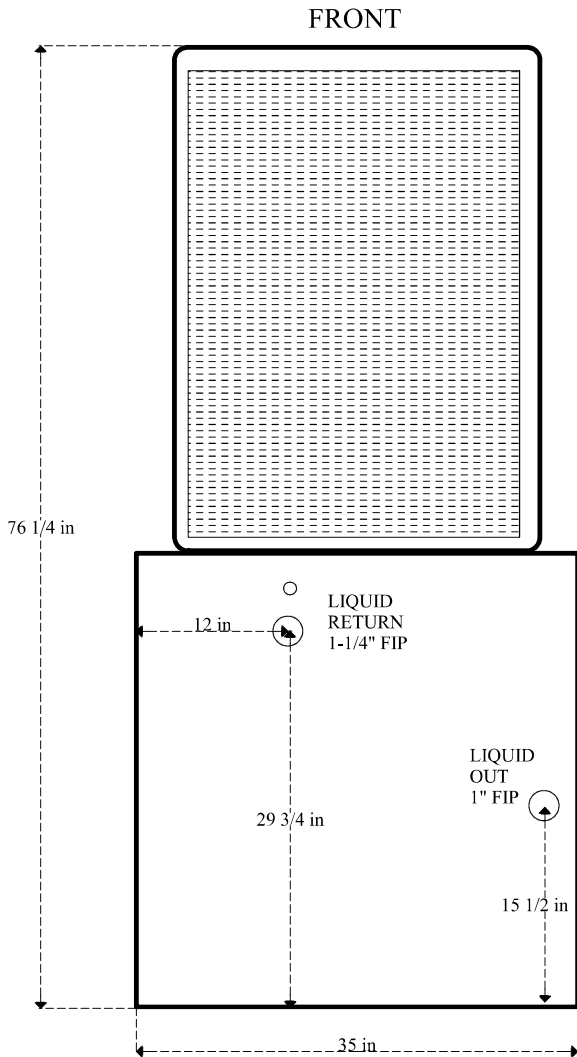
Chiller Systems



MODEL GV60CK1

SPECIFICATIONS:

- 60,000 BTU/HR at 95F degree ambient and 55F degree water out
- Electrical: 208/230V, 60hz single phase
- Minimum Circuit Ampacity: 42, Maximum Fuse Size 68 Amps
- One 44 gallon stainless steel tank with Chillking evaporator coil inside
- 1 HP water pump: 47 GPM max, 49 PSI max
- R410a Refrigerant
- One 60,000 BTU/HR Copeland scroll compressor
- Approximate shipping weight 800 LBS
- Dimensions: 35" wide, 35" long, 76-1/4" tall
- Decibels: 77



P.O. Box 1696 Bastrop, Texas 78602 Tel 512-303-1529

www.chillking.com

CHILLING

Chiller Systems

Wiring Diagram

Vertical Single Circuit Single Phase

