

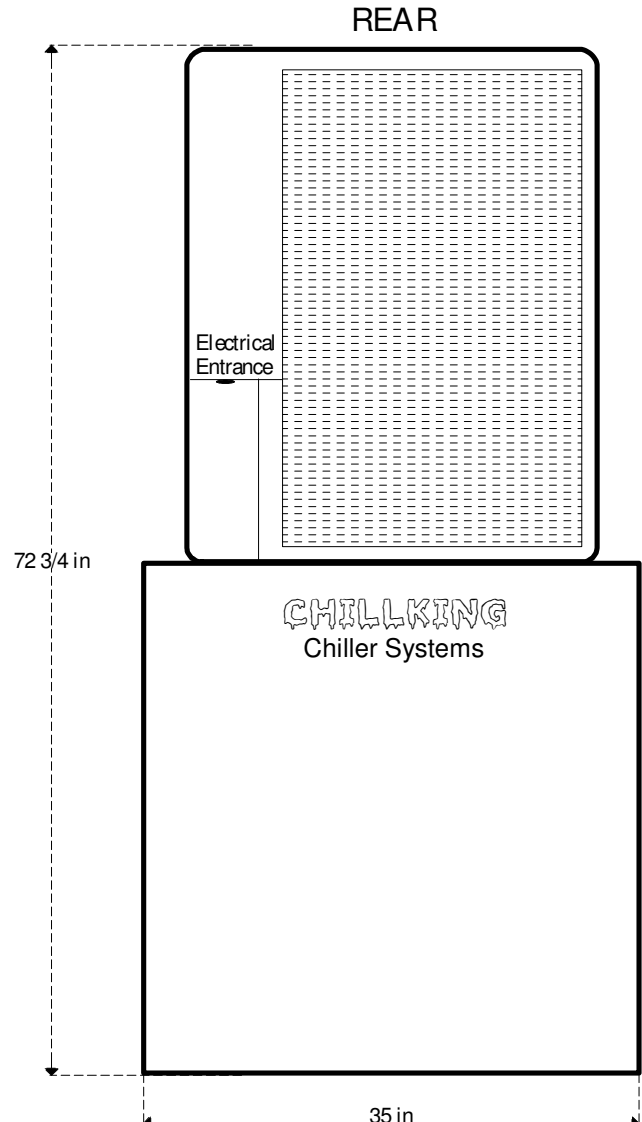
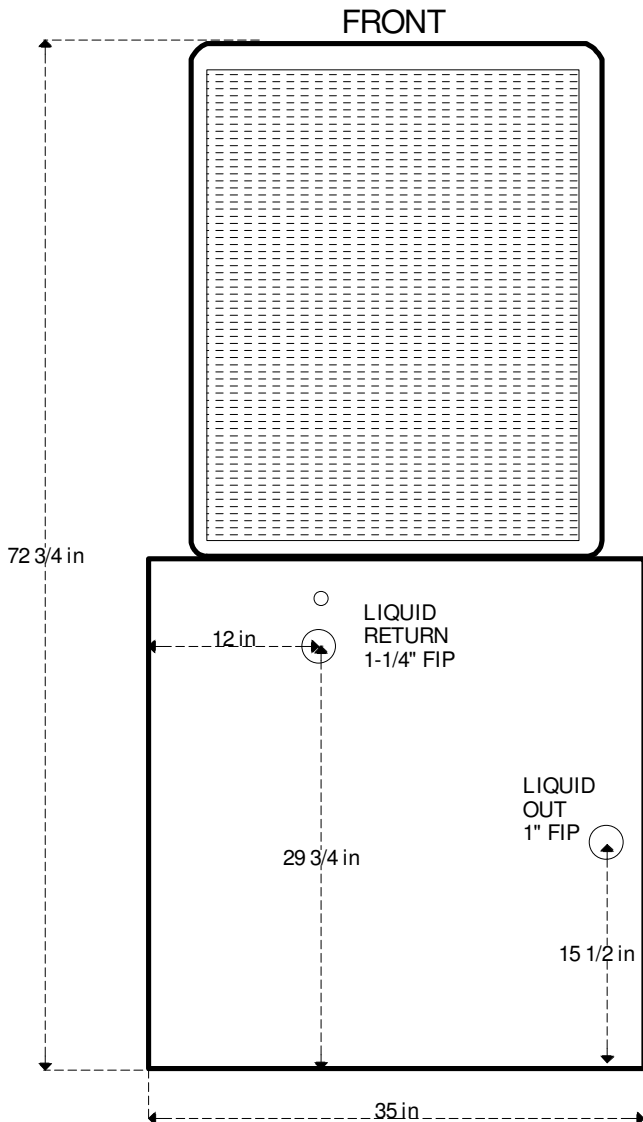
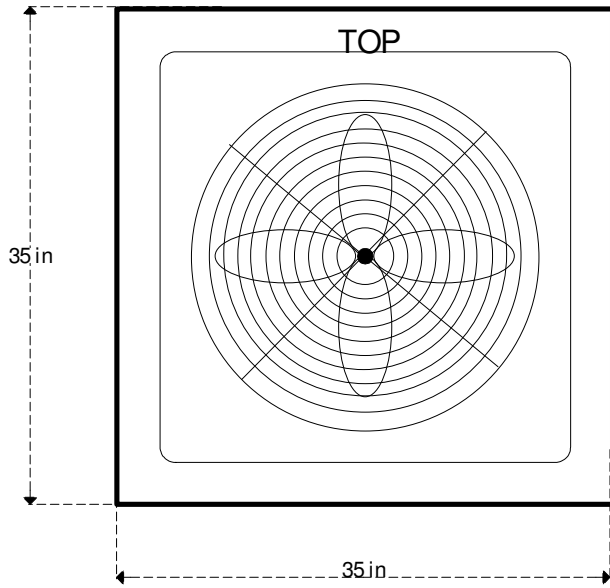
CHILLKING

Chiller Systems

MODEL GV48CK1

SPECIFICATIONS:

- 48,000 BTU/HR at 95F degree ambient and 55F degree water out
- Electrical: 208/230V, 60hz single phase
- Minimum Circuit Ampacity: 34, Maximum Fuse Size 53 Amps
- One 44 gallon stainless steel tank with Chilling evaporator coil inside
- 1 HP water pump: 47 GPM max, 49 PSI max
- R410a Refrigerant
- One 48,000 BTU/HR Copeland scroll compressor
- Approximate shipping weight 750 LBS
- Dimensions: 35" wide, 35" long, 72-3/4" tall
- Decibels: 76



CHILLING

Chiller Systems

Wiring Diagram

Vertical Single Circuit Single Phase

