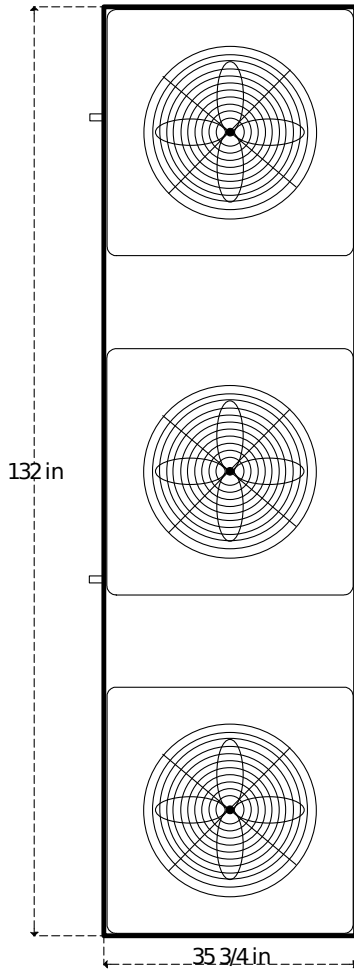


CHILLKING

Chiller Systems

TOP



MODEL GV360CK4

SPECIFICATIONS:

- 360,000 BTU/HR at 95F degree ambient and 50F degree water out
- Electrical: 460V, 60hz three phase
- Minimum Circuit Ampacity: 69, Maximum Fuse Size 85 Amps
- 246 gallon stainless steel tank with Chillking evaporator coils inside
- 2 HP water pump: 68 GPM max, 55 PSI max
- R410a Refrigerant
- Three 120,000 BTU Copeland scroll compressors with compressor heaters
- Low ambient operation to -35F
- Approximate shipping weight 2,900 LBS, operating weight 4,910 LBS
- Dimensions: 36" wide, 132" long, 76-1/4" tall
- Decibels: 84

SIDE

