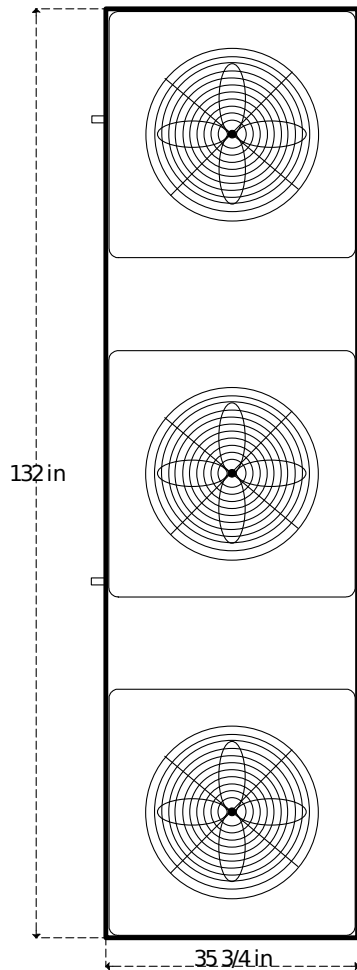


# CHILLKING

## Chiller Systems

TOP



### MODEL GV360CK3-LT

#### SPECIFICATIONS:

- Low Temperature Chiller
- 360,000 BTU/HR at 50F LWT and 90F ambient
- 180,000 BTU/HR at 25F LWT and 90F ambient
- Electrical: 208/230V, 60hz three phase
- Minimum Circuit Ampacity: 128, Maximum Fuse Size 156 Amps
- 246 gallon stainless steel tank with Chillking evaporator coils inside
- 2 HP water pump: 68 GPM max, 55 PSI max
- R410a Refrigerant
- Three 120,000 BTU Copeland scroll compressors
- Approximate shipping weight 2,900 LBS, operating weight 4,910 LBS
- Dimensions: 36" wide, 132" long, 76-1/4" tall
- Decibels: 84

SIDE

