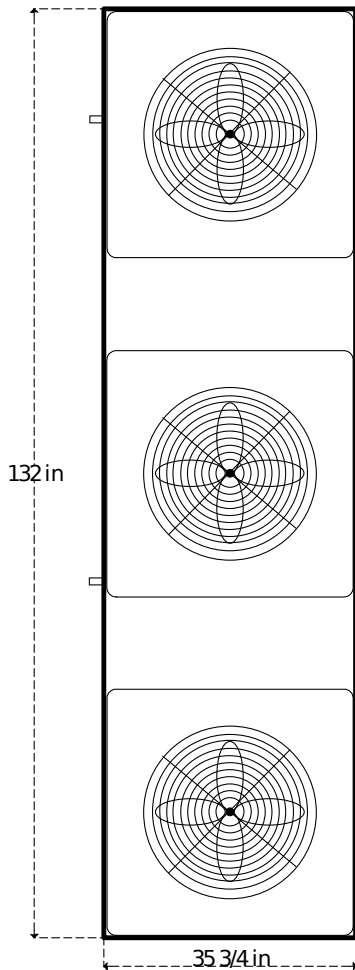


TOP



### MODEL GV330CK3-LT

#### SPECIFICATIONS:

- Low Temperature Chiller
- 330,000 BTU/HR at 50F LWT and 90F ambient
- 164,000 BTU/HR at 25F LWT and 90F ambient
- Electrical: 208/230V, 60hz three phase
- Minimum Circuit Ampacity: 120, Maximum Fuse Size 149 Amps
- 231 gallon stainless steel tank with Chillking evaporator coils inside
- 1-1/2 HP water pump: 50 GPM max, 51 PSI max
- R410a Refrigerant
- Two 120,000 BTU and one 90,000 BTU Copeland scroll compressors
- Approximate shipping weight 2,900 LBS, operating weight 4,910 LBS
- Dimensions: 36" wide, 132" long, 76-1/4" tall
- Decibels: 84

SIDE

