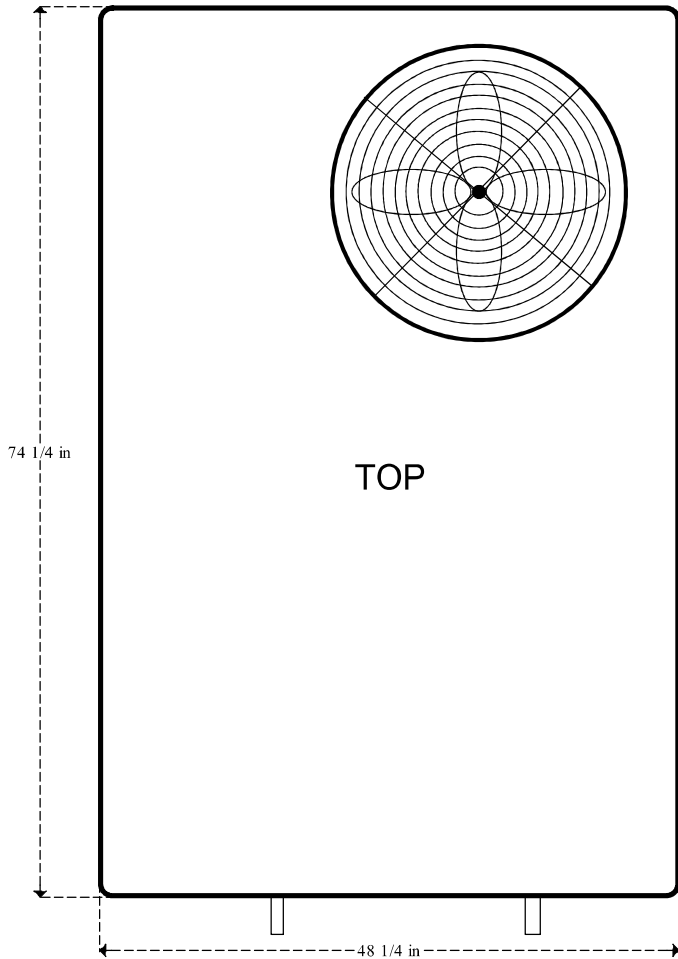


CHILLKING

Chiller Systems

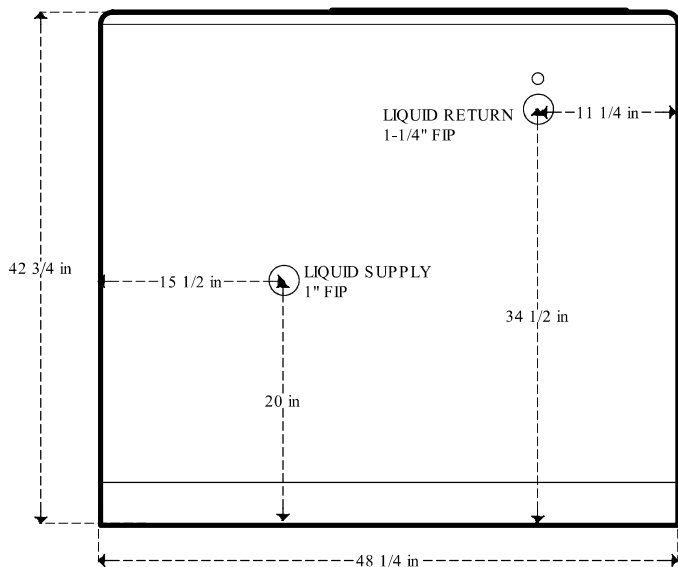


MODEL GC72CK4

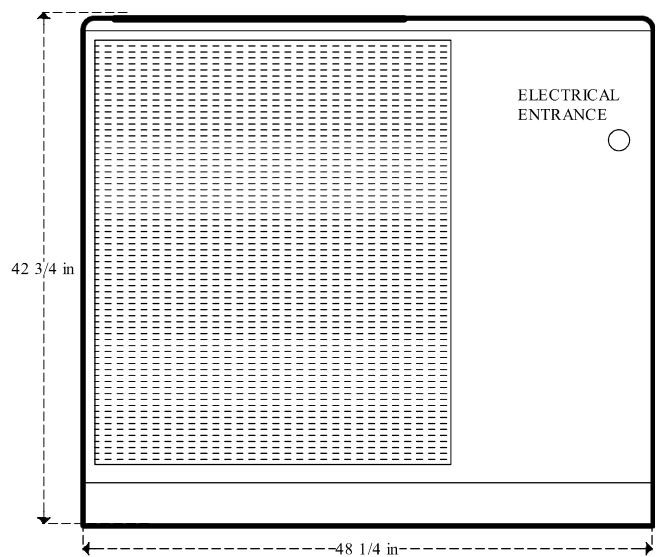
SPECIFICATIONS:

- 72,000 BTU/HR at 95F degree ambient and 55F degree water out
- Electrical: 460V, 60hz three phase
- Minimum Circuit Ampacity: 16, Maximum Fuse Size 24 Amps
- One 77 gallon stainless steel tank with Chillking evaporator coil inside
- 1 HP water pump: 47 GPM max, 49 PSI max
- R410a Refrigerant
- One 72,000 BTU/HR Copeland scroll compressor
- Approximate shipping weight 950 LBS
- Dimensions: 48-1/4" wide, 74-1/4" long, 42-3/4" tall
- Decibels: 78

FRONT



REAR



P.O. Box 1696 Bastrop, Texas 78602 Tel 512-303-1529

www.chillking.com

CHILLING

Chiller Systems

Wiring Diagram

460v Three Phase

