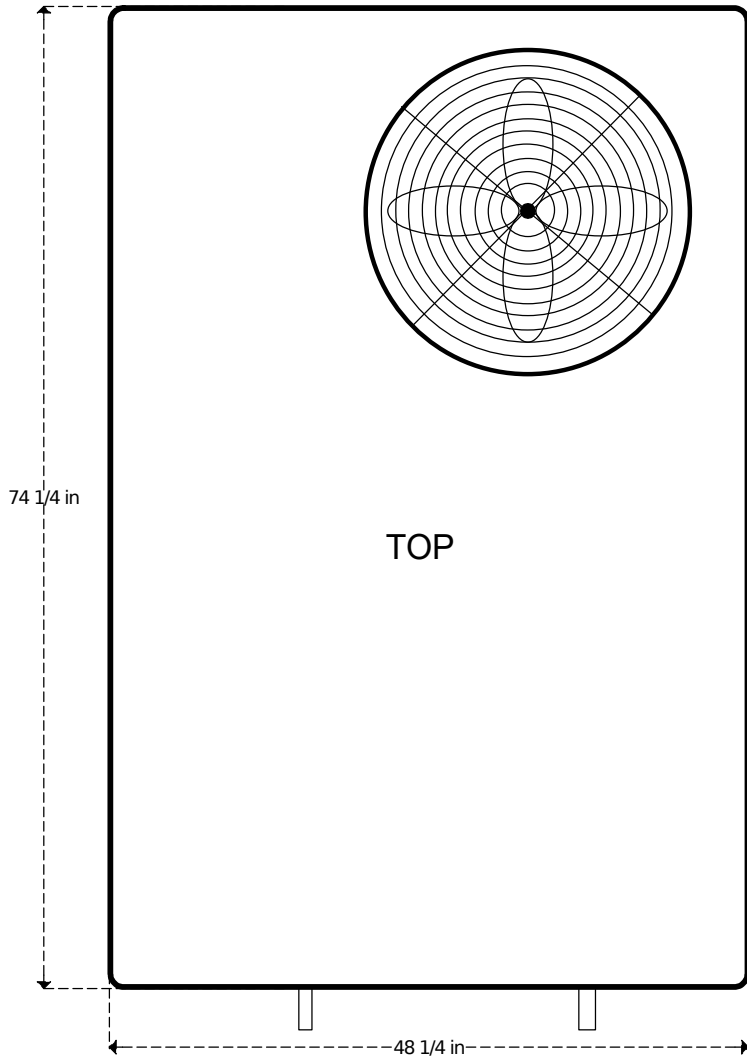


# CHILLKING

## Chiller Systems

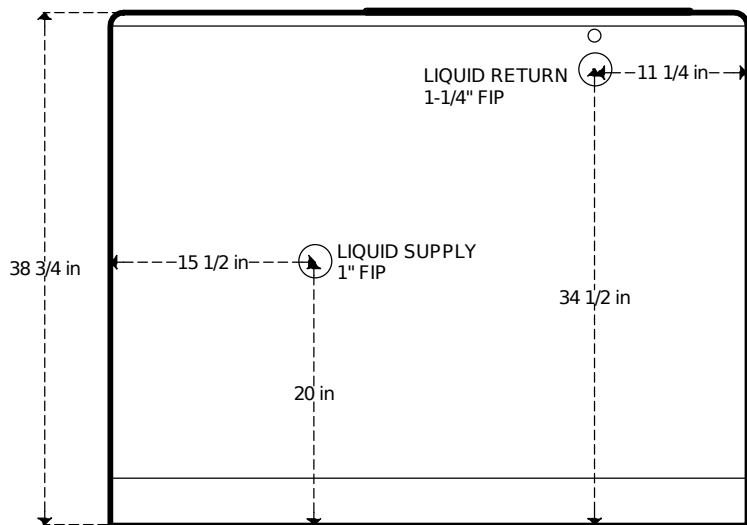


### MODEL GC60CK1-LT

#### SPECIFICATIONS:

- Low temperature chiller
- 66,000 BTU/HR at 55F LWT and 90F ambient
- 29,000 BTU/HR at 28F LWT and 90F ambient
- Electrical: 208/230V, 60hz single phase
- Minimum Circuit Ampacity: 42, Maximum Fuse Size 68 Amps
- One 44 gallon stainless steel tank with Chilling evaporator coil inside
- 1 HP water pump: 47 GPM max, 49 PSI max
- R410a Refrigerant
- One 60,000 BTU/HR Copeland scroll compressor
- Approximate shipping weight 900 LBS
- Dimensions: 48-1/4" wide, 74-1/4" long, 38-3/4" tall
- Decibels: 78

#### FRONT



#### REAR

