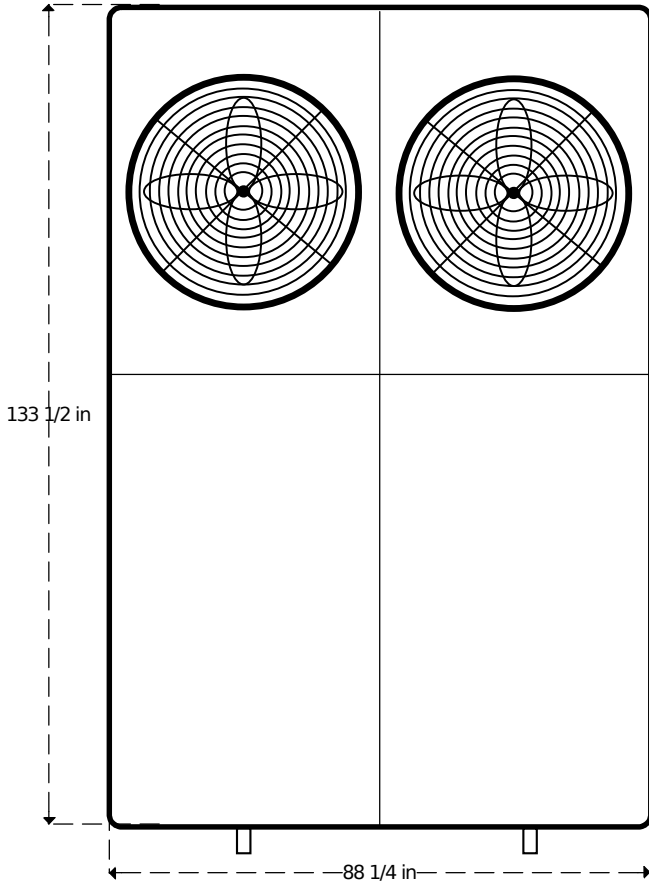


CHILLKING

Chiller Systems

MODEL GC300CK4

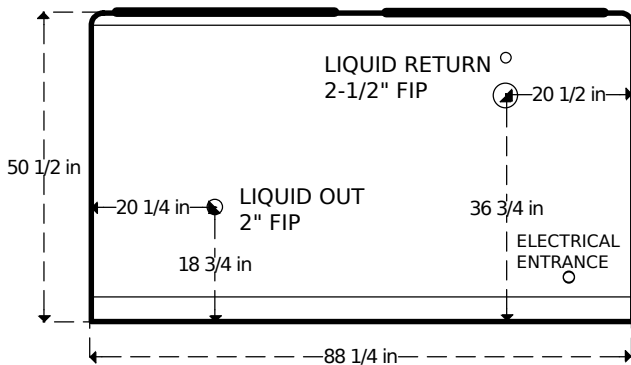
TOP



SPECIFICATIONS:

- Low temperature chiller
- 330,000 BTU/HR at 50F LWT and 90F ambient
- Electrical: 460V, 60hz three phase
- Minimum Circuit Ampacity: 51, Maximum Fuse Size 68 Amps
- One 308 gallon stainless steel tank with Chilling evaporator coils inside
- One 2-1/2 HP water pump: 70 GPM max, 51 PSI max each
- R410a Refrigerant
- Two 150,000 BTU/HR Copeland scroll compressors
- Approximate shipping weight 2,550 LBS
- Dimensions: 88-1/4" wide, 133-1/2" long, 50-1/2" tall
- Decibels: 92

END



SIDE

