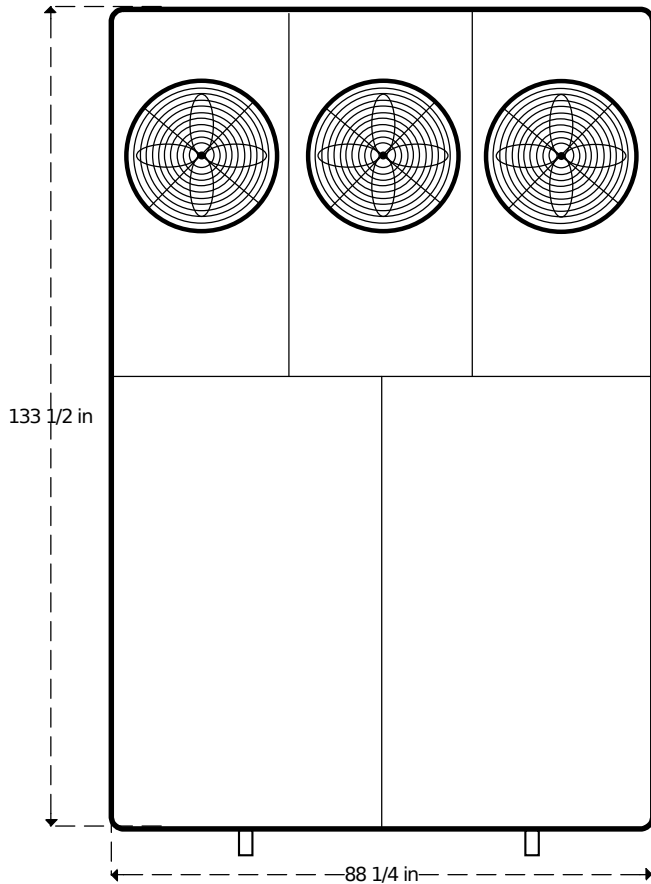


CHILLKING

Chiller Systems

MODEL GC240CK4-LT

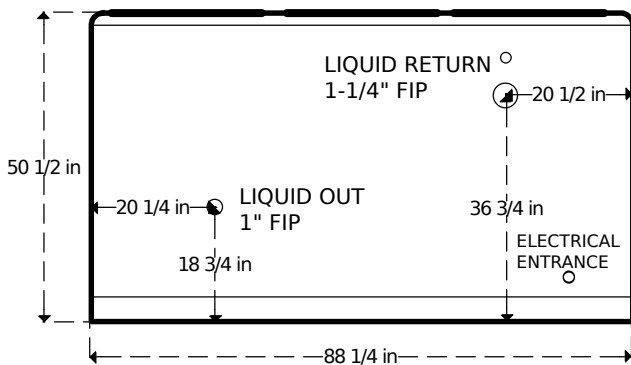
TOP



SPECIFICATIONS:

- Low temperature chiller
- 264,00 BTU/HR at 50F LWT and 90F ambient
- 121,000 BTU/HR at 25F LWT and 90F ambient
- Electrical: 460V, 60hz three phase
- Minimum Circuit Ampacity: 47, Maximum Fuse Size 64 Amps
- One 137 gallon stainless steel tank with Chillking evaporator coils inside
- 1-1/2 HP water pump: 59 GPM max, 51 PSI max
- R410a Refrigerant
- Two 120,000 BTU/HR Copeland scroll compressors
- Approximate shipping weight 2,400 LBS
- Dimensions: 88-1/4" wide, 133-1/2" long, 50-1/2" tall
- Decibels: 88

END



SIDE

