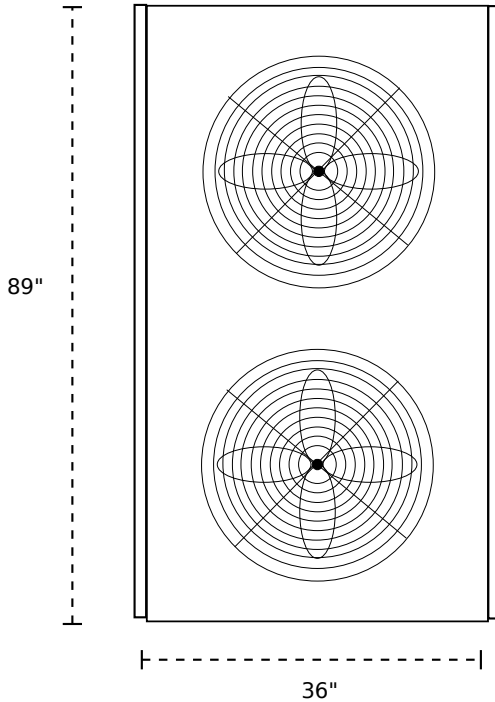


DehuKing



MODEL DU07T11CK264-3

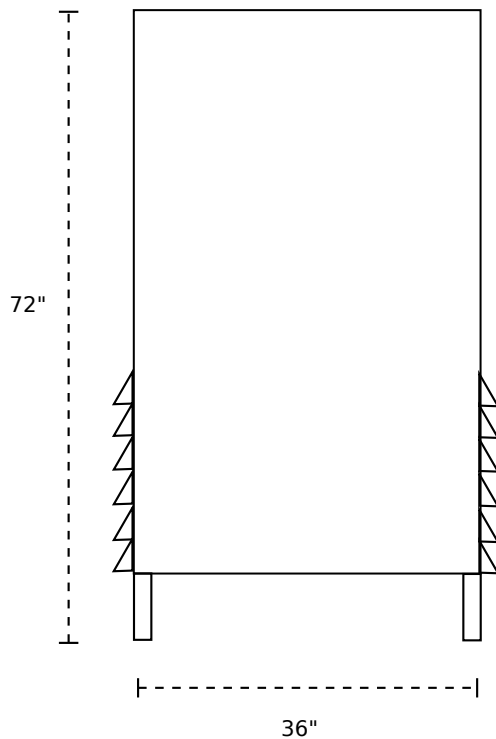
TOP



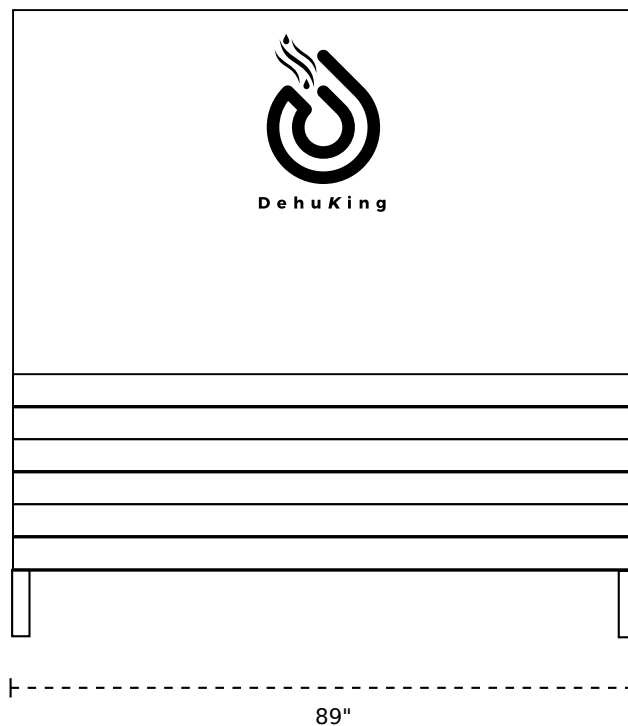
SPECIFICATIONS:

- 7.5 ton dehumidifier
- Performance: 9.8 gallons per hour at 80F and 60% relative humidity
- 11 gallons per hour, 264 gallons per day
- 12.2 pints per KW
- Electrical: 208/230V, 60hz three phase
- Minimum Circuit Ampacity: 33, Maximum Fuse Size 45 Amps
- R410a Refrigerant
- Two 60,000 BTU/HR Copeland Scroll Compressors
- CFM: 3,600
- Dimensions: 89" wide, 36" long, 72" tall
- Weight (LBS): 1050
- Decibels: 84

SIDE



FRONT



P.O. Box 1696 Bastrop, Texas 78602 Tel 512-303-1529

www.chillking.com