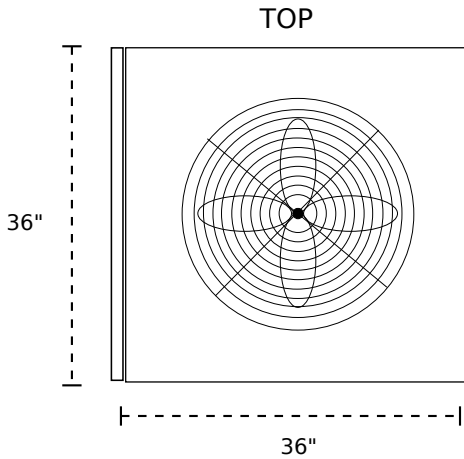


DehuKing



MODEL DU05T07CK172-1376-3

SPECIFICATIONS:

- 5 ton dehumidifier
- Performance: 6.5 gallons per hour @ 80F and 60% relative humidity
- 6.5 gallons per hour, 156 gallons per day, 1248 pints per day
- 10.8 pints per KW
- Electrical: 208/230V, 60hz three phase
- Minimum Circuit Ampacity: 22, Maximum Fuse Size 37 Amps
- R410a Refrigerant
- One 60,000 BTU/HR Copeland Scroll Compressors/ 25 RLA
- CFM: 4,200
- Dimensions: 36" wide, 36" long, 72" tall
- Weight (LBS): 795; w/ skeletal crate 870; w/ closed crate 1000
- Decibels: 84

