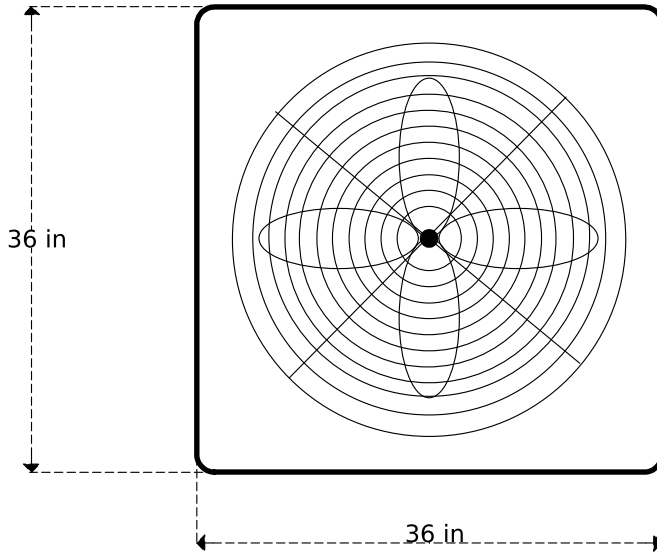


HEATSEEKER

TOP

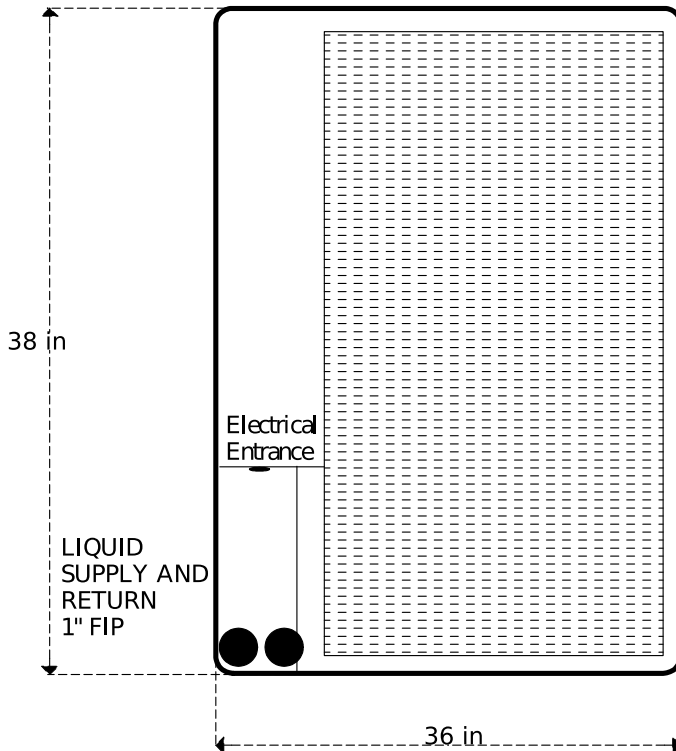


MODEL BPGC90NRCK3

SPECIFICATIONS:

- 90,000 BTU/HR at 95F degree ambient and 55F degree water out
- Electrical: 208/230V, 60hz three phase
- Minimum Circuit Ampacity: 36.9, Maximum Fuse Size 60 Amps
- Chilling evaporator
- Flow switch safety
- Low ambient start of -30°F
- R410a Refrigerant
- One 90,000 BTU/HR Copeland scroll compressor
- Approximate shipping weight 500 LBS
- Dimensions: 36" wide, 36" long, 42" tall
- ETL Laboratory Approved : ETL # 3195605
- Decibels: 84

FRONT



REAR

