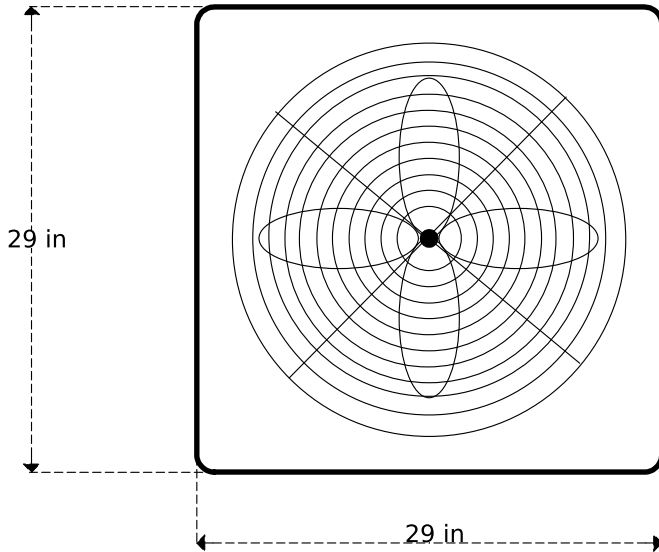


HEATSEEKER

TOP

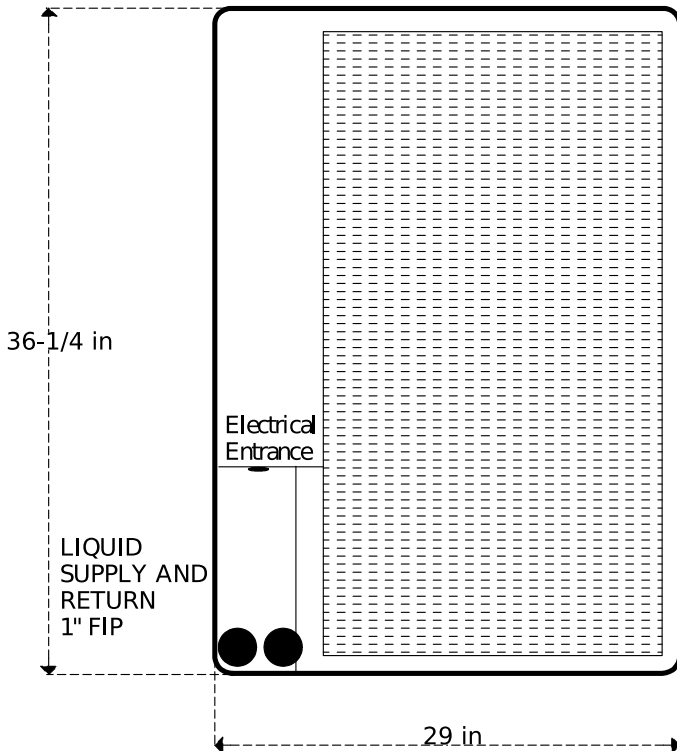


MODEL BPGC42NRCK1

SPECIFICATIONS:

- 42,000 BTU/HR at 95F degree ambient and 50F degree water out
- Electrical: 208/230V, 60hz single phase
- Minimum Circuit Ampacity: 22, Maximum Fuse Size 35 Amps
- Brazed plate evaporator
- R410a Refrigerant
- One 42,000 BTU/HR Copeland scroll compressor
- Approximate shipping weight 350 LBS
- Dimensions: 29" wide, 29" long, 36-1/4" tall
- ETL Laboratory Approved : ETL # 3195605
- Decibels: 84

FRONT



REAR

