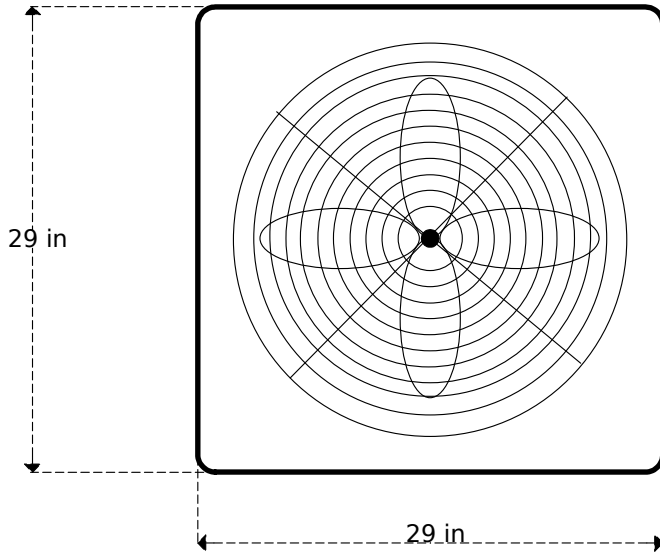


HEATSEEKER

TOP

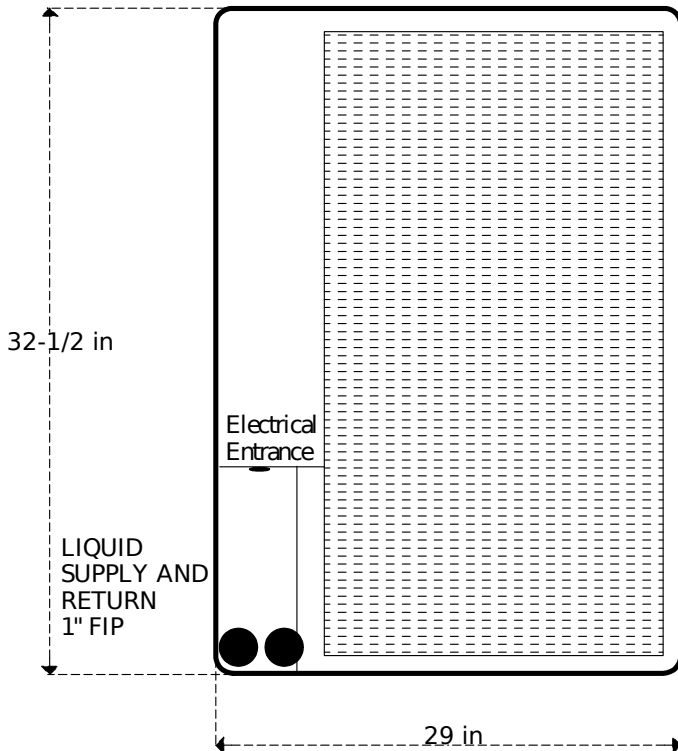


MODEL BPGC36NRCK1

SPECIFICATIONS:

- 36,000 BTU/HR at 95F degree ambient and 50F degree water out
- Electrical: 208/230V, 60hz single phase
- Minimum Circuit Ampacity: 18.6, Maximum Fuse Size 30 Amps
- Chilling evaporator
- Flow switch safety
- Low ambient start of -30°F
- R410a Refrigerant
- One 36,000 BTU/HR Copeland scroll compressor
- Approximate shipping weight 350 LBS
- Dimensions: 29" wide, 29" long, 32-1/2" tall
- ETL Laboratory Approved : ETL # 3195605
- Decibels: 84

FRONT



REAR

