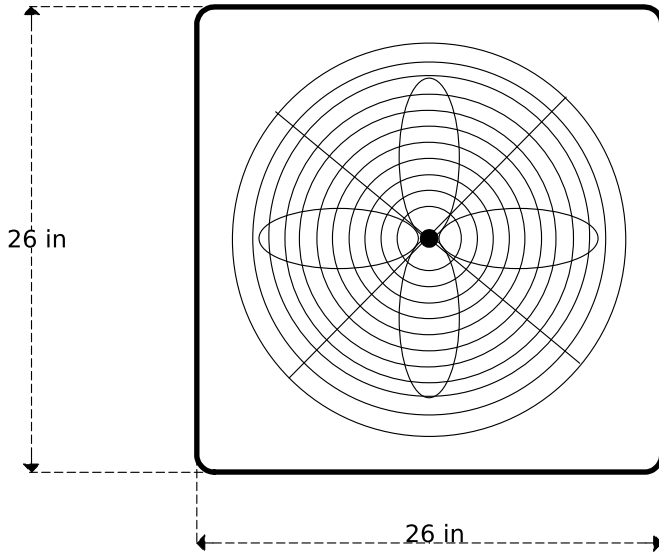


HEATSEEKER

TOP

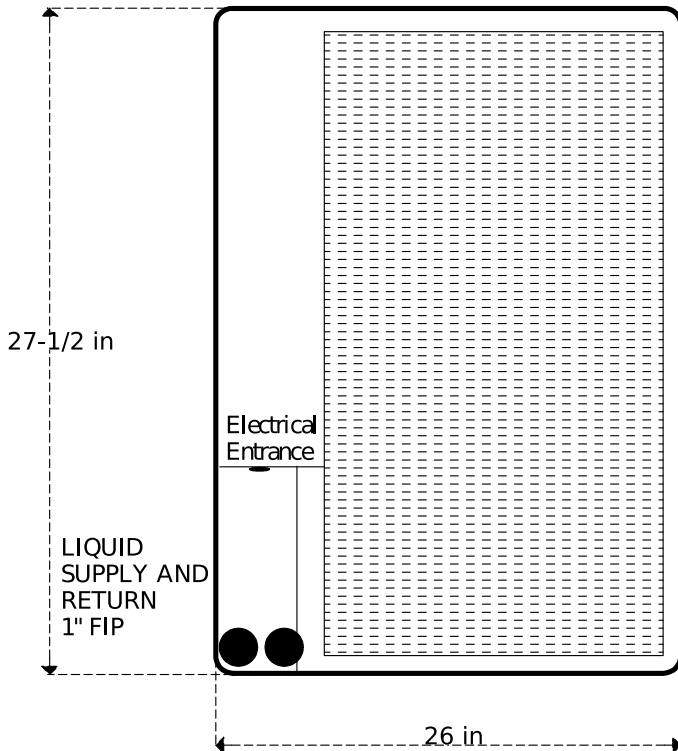


MODEL BPGC24NRCK1

SPECIFICATIONS:

- 24,000 BTU/HR at 95°F degree ambient and 50°F degree water out
- Electrical: 208/230V, 60hz single phase
- Minimum Circuit Ampacity: 13.6, Maximum Fuse Size 20 Amps
- Chilling double coaxial HX evaporator
- Flow switch safety
- Low ambient start of -30°F
- R410a Refrigerant
- One 24,000 BTU/HR Copeland scroll compressor
- Approximate shipping weight 350 LBS
- Dimensions: 26" wide, 26" long, 27-1/2" tall
- ETL Laboratory Approved : ETL # 3195605
- Decibels: 84

FRONT



REAR

