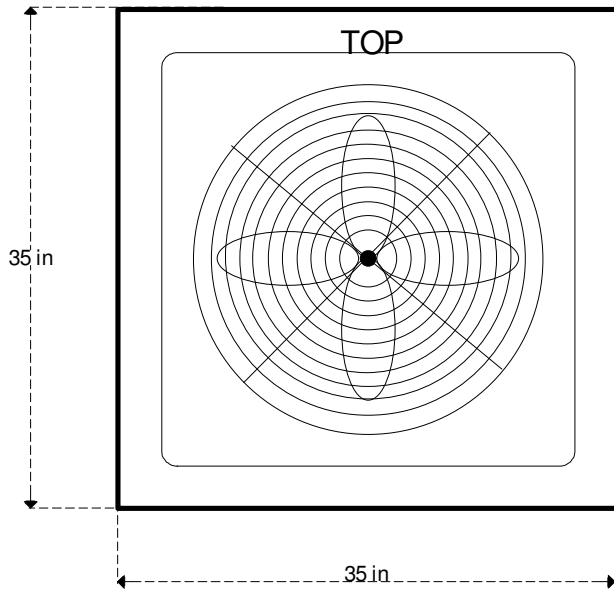


CHILLKING

Chiller Systems



MODEL GV36CK3

SPECIFICATIONS:

- 36,000 BTU/HR at 95F degree ambient and 55F degree water out
- Electrical: 208/230V, 60hz three phase
- Minimum Circuit Ampacity: 19, Maximum Fuse Size 29 Amps
- One 44 gallon stainless steel tank with Chilling evaporator coil inside
- 1/2 HP water pump: 22 GPM max, 36 PSI max
- R410a Refrigerant
- One 36,000 BTU/HR Copeland scroll compressor
- Approximate shipping weight 700 LBS
- Dimensions: 35" wide, 35" long, 62" tall
- Decibels: 74

