

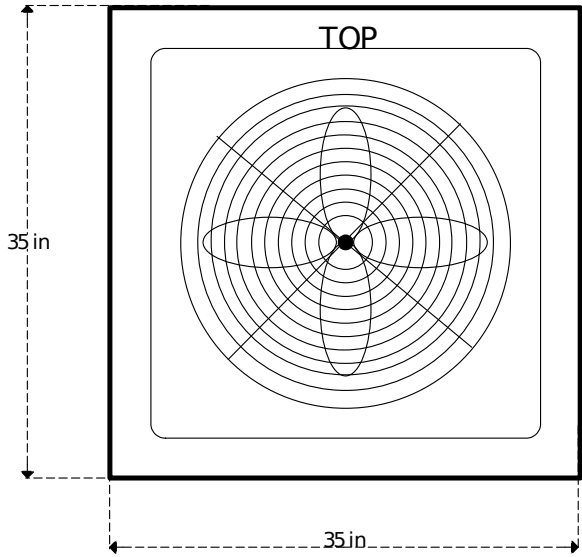
# CHILLKING

## Chiller Systems

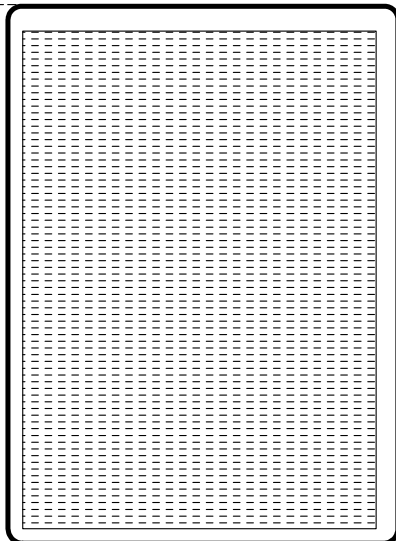
### MODEL GVLT60B30KCK3

#### SPECIFICATIONS:

- Low temperature chiller
- 30,000 BTU/HR at 90F degree ambient and 28F degree water out
- Electrical: 208/230V, 60hz three phase
- Minimum Circuit Ampacity: 29, Maximum Fuse Size 44 Amps
- One 44 gallon stainless steel tank with Chillking evaporator coil inside
- 1 HP water pump: 47 GPM max, 49 PSI max
- R410a Refrigerant
- One 60,000 BTU/HR Copeland scroll compressor
- Approximate shipping weight 800 LBS
- Dimensions: 35" wide, 35" long, 76-1/4" tall
- Decibels: 77



FRONT



REAR

