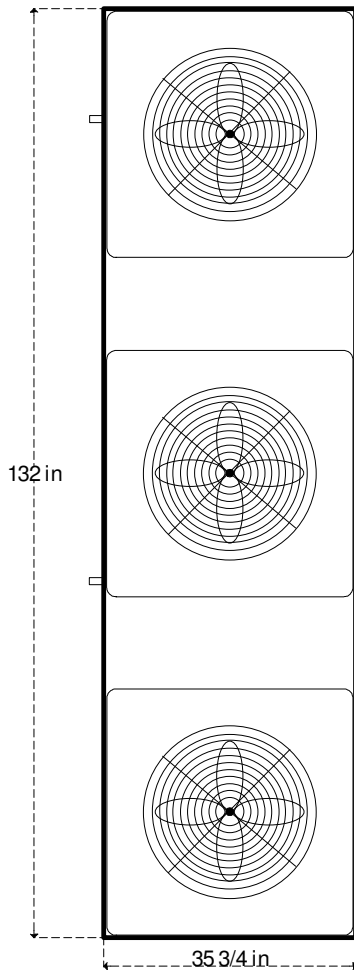


CHILLKING

Chiller Systems

TOP



MODEL GVLT330B164KCK3

SPECIFICATIONS:

- 164,000 BTU/HR at 90F degree ambient and 28F degree water out
- Electrical: 208/230V, 60hz three phase
- Minimum Circuit Ampacity: 117, Maximum Fuse Size 147 Amps
- 240 gallon stainless steel tank with Chillking evaporator coils inside
- 1-1/2 HP water pump: 59 GPM max, 51 PSI max
- R410a Refrigerant
- Two 120,000 BTU and one 90,000 BTU Copeland scroll compressors
- Approximate shipping weight 2,900 LBS, operating weight 4,910 LBS
- Dimensions: 36" wide, 132" long, 76-1/4" tall
- Decibels: 84

SIDE

