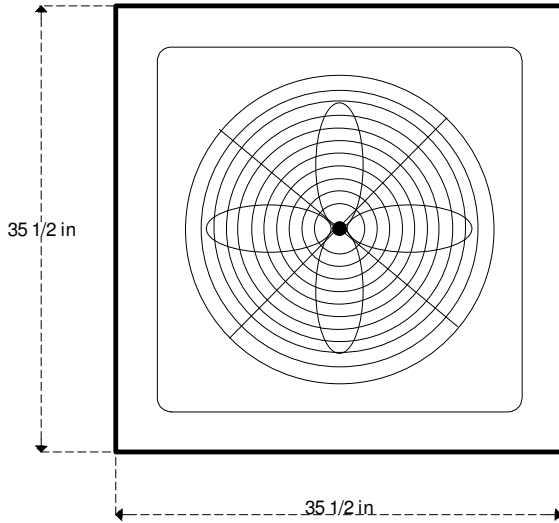


CHILLKING

Chiller Systems

TOP

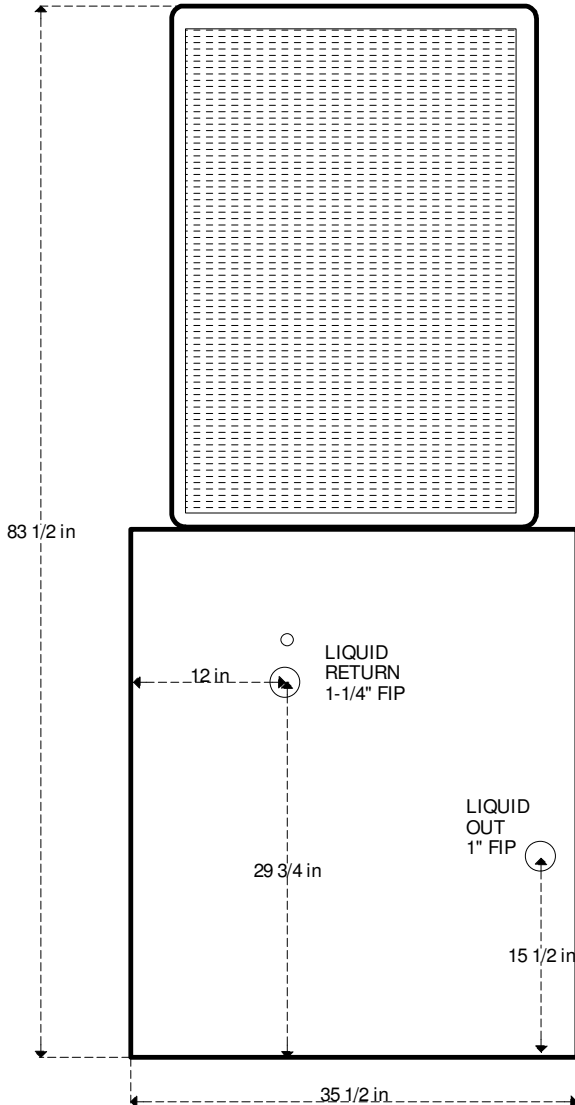


MODEL GVLT120B59KCK3

SPECIFICATIONS:

- 59,500 BTU at 90F ambient and 25F degree water out
- 51,100 BTU at 110F ambient and 25F degree water out
- Electrical: 208-230V, 60hz three phase
- Minimum Circuit Ampacity: 45, Maximum Fuse Size 69 Amps
- One 77 gallon stainless steel tank with Chilling evaporator coil inside
- 1 HP water pump: 47 GPM max, 49 PSI max
- R410a Refrigerant
- One 120,000BTU/HR Copeland scroll compressor
- Approximate shipping weight 1,100 LBS
- Dimensions: 35-1/2" wide, 35-1/2" long, 83-1/2" tall
- Decibels: 84

FRONT



REAR

