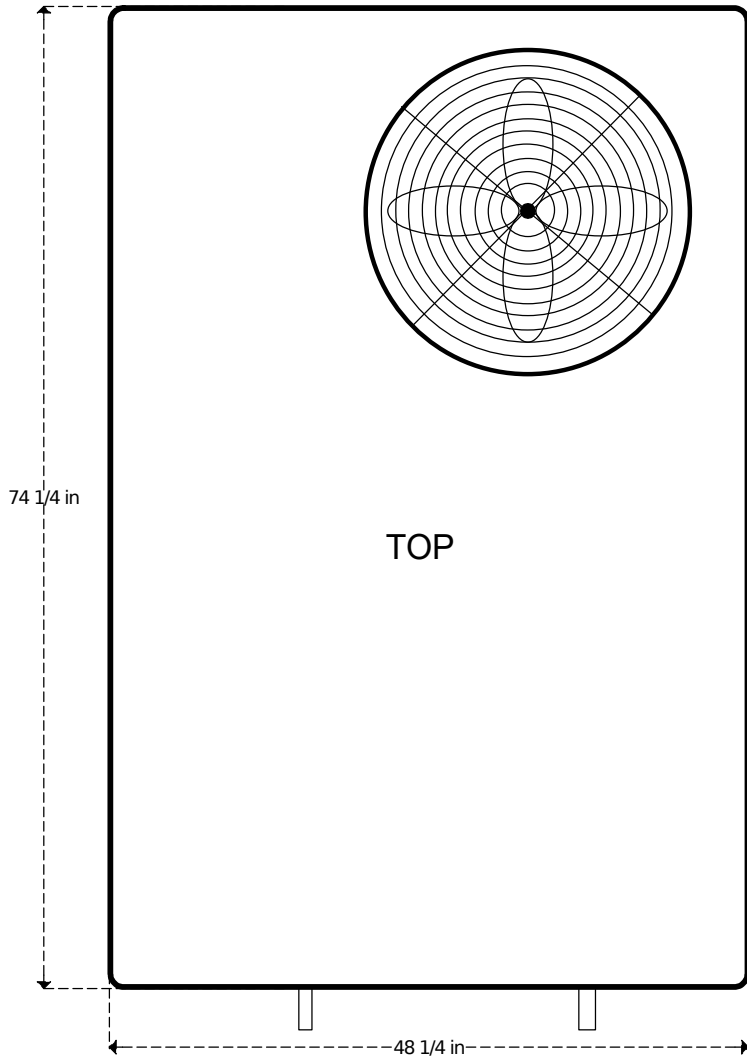


# CHILLKING

## Chiller Systems

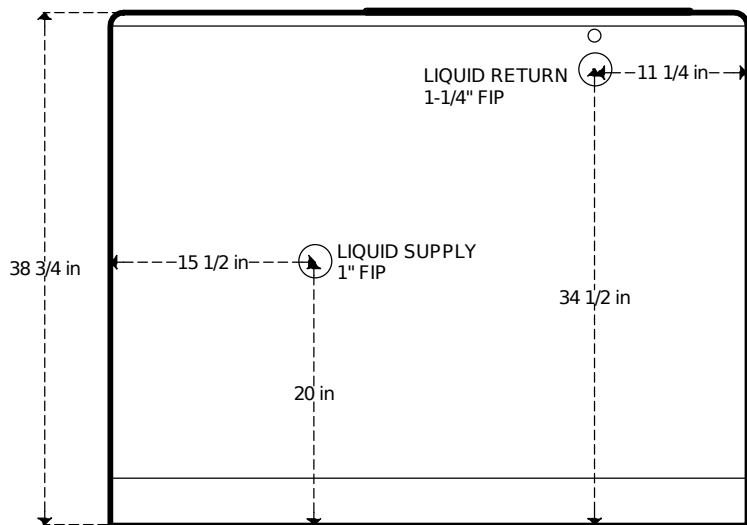


### MODEL GC48CK1-LT

**SPECIFICATIONS:**

- 52,800 BTU/HR at 55F LWT and 90F ambient
- 23,000 BTU/HR at 28F LWT and 90F ambient
- Electrical: 208/230V, 60hz single phase
- Minimum Circuit Ampacity: 34, Maximum Fuse Size 53 Amps
- One 44 gallon stainless steel tank with Chillking evaporator coil
- 1 HP water pump: 47 GPM max, 49 PSI max
- R410a Refrigerant
- One 48,000 BTU/HR Copeland scroll compressor
- Approximate shipping weight 800 LBS
- Dimensions: 48-1/4" wide, 74-1/4" long, 38-3/4" tall
- Decibels: 78

### FRONT



### REAR

