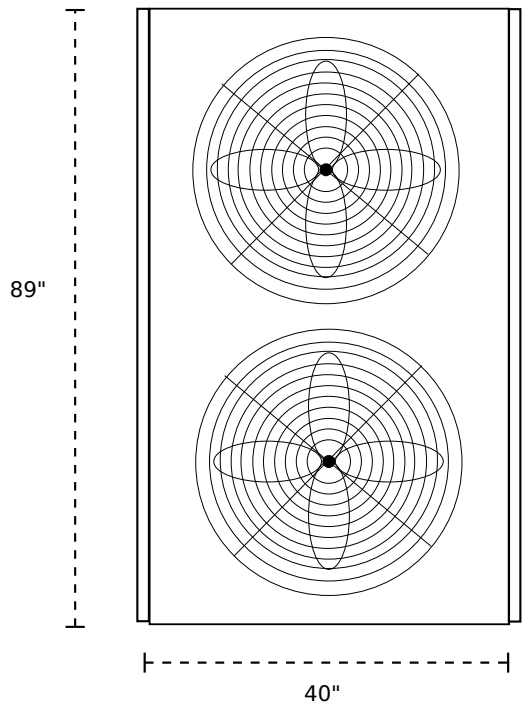


# DehuKing



## MODEL DU25T36UV864-3

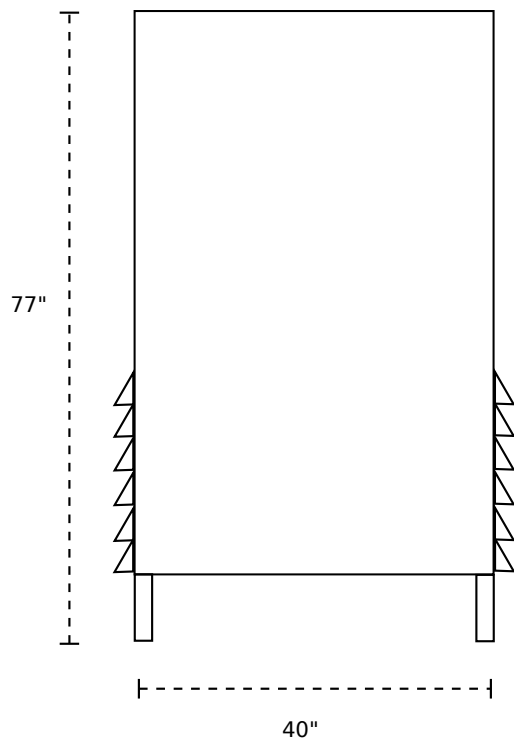
TOP



### SPECIFICATIONS:

- 25 ton dehumidifier
- 36 gallons per hour, 864 gallons per day
- 13.88 pints per KW
- Ultraviolet purification
- Electrical: 208/230V, 60hz three phase
- Minimum Circuit Ampacity: 116, Maximum Fuse Size 163 Amps
- R410a Refrigerant
- Two 150,000 BTU/HR Copeland Scroll Compressors
- Dimensions: 89" wide, 40" long, 77" tall
- Decibels: 84

SIDE



FRONT

