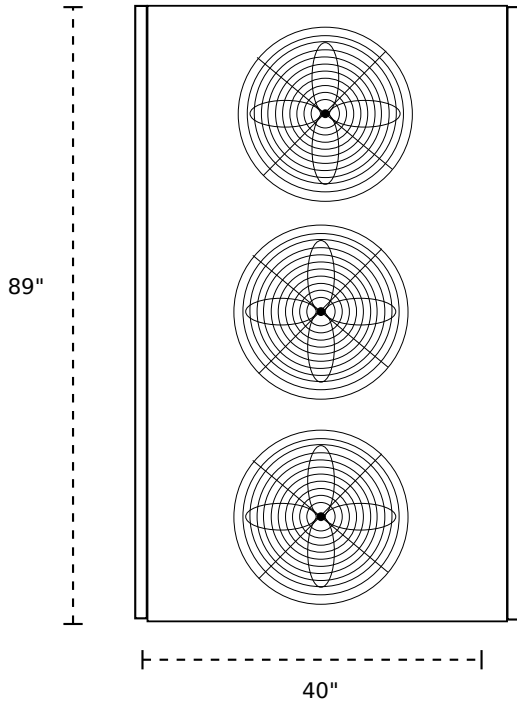


DehuKing



MODEL DU20T29UV696-4

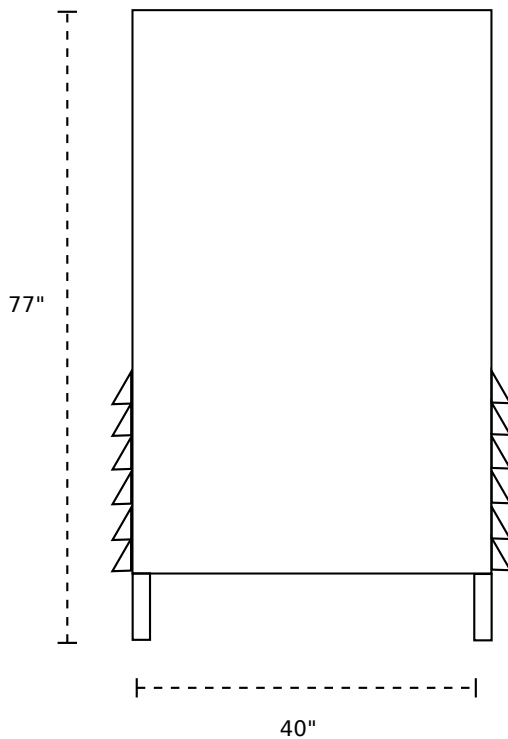
TOP



SPECIFICATIONS:

- 20 ton dehumidifier
- 29 gallons per hour, 696 gallons per day
- 12.62 pints per KW
- Ultraviolet purification
- Electrical: 460V, 60hz three phase
- Minimum Circuit Ampacity: 39, Maximum Fuse Size 54 Amps
- R410a Refrigerant
- Two 120,000 BTU/HR Copeland Scroll Compressors
- Dimensions: 89" wide, 40" long, 77" tall
- Decibels: 84

SIDE



FRONT

