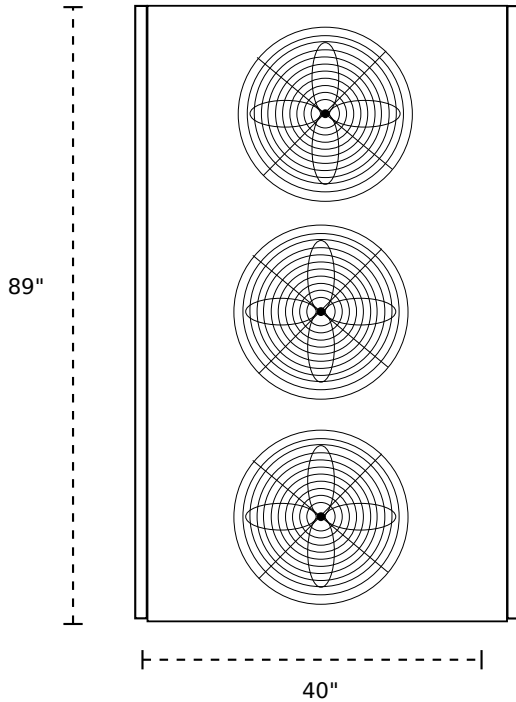


DehuKing



MODEL DU20T29UV696-3

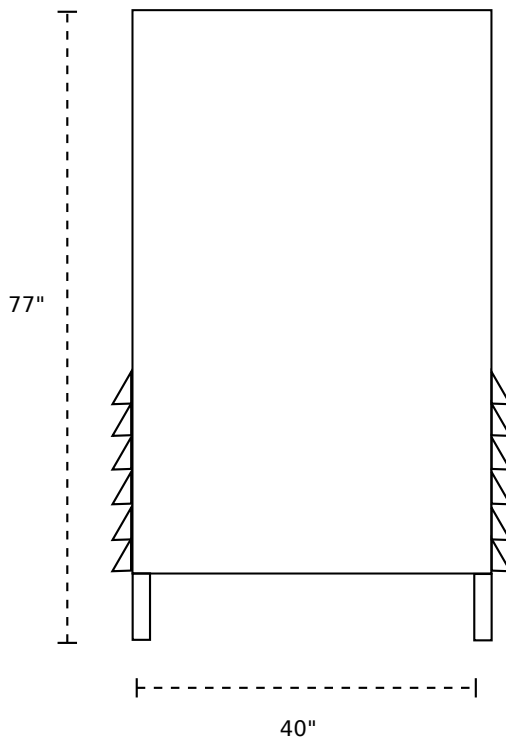
TOP



SPECIFICATIONS:

- 20 ton dehumidifier
- 29 gallons per hour, 696 gallons per day
- 12.63 pints per KW
- Ultraviolet purification
- Electrical: 208/230V, 60hz three phase
- Minimum Circuit Ampacity: 55, Maximum Fuse Size 77 Amps
- R410a Refrigerant
- Two 120,000 BTU/HR Copeland Scroll Compressors
- Dimensions: 89" wide, 40" long, 77" tall
- Decibels: 84

SIDE



FRONT

