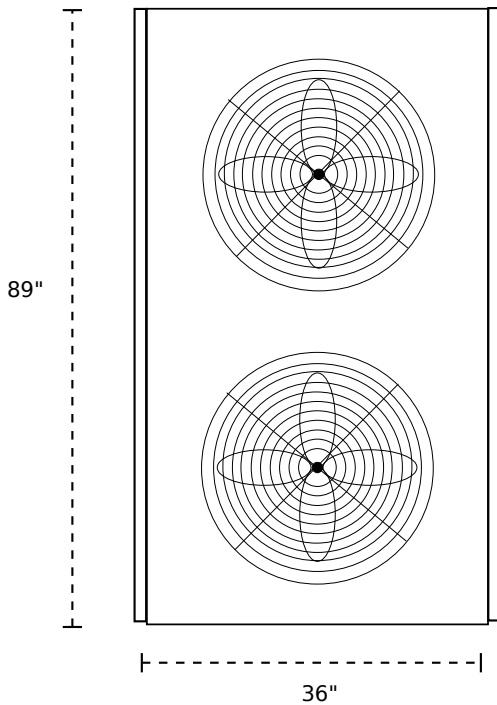


DehuKing



MODEL DU10T14UV348-4

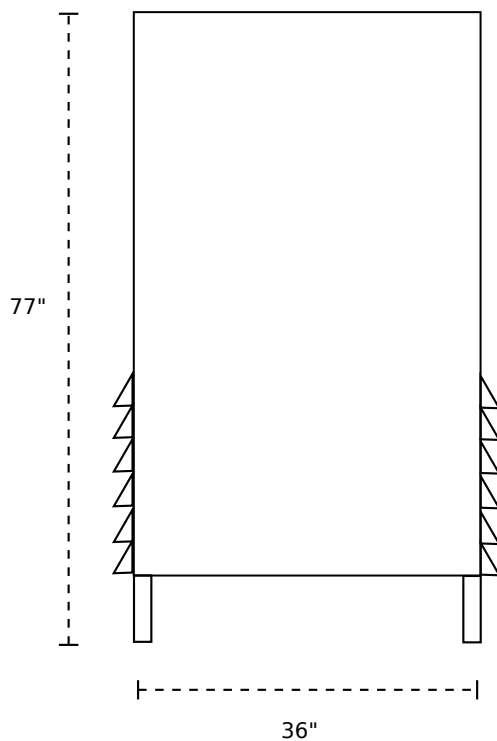
TOP



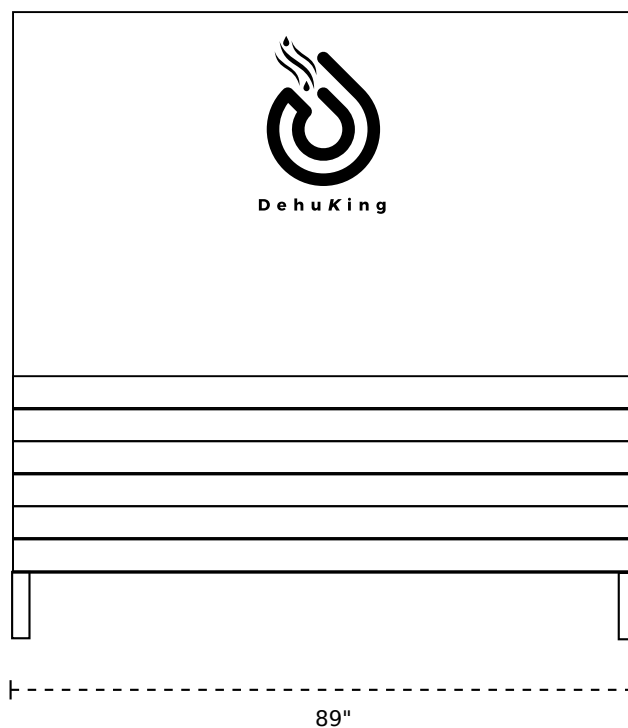
SPECIFICATIONS:

- 10 ton dehumidifier
- 14 gallons per hour, 348 gallons per day
- 14 pints per KW
- Ultraviolet purification
- Electrical: 460V, 60hz three phase
- Minimum Circuit Ampacity: 20, Maximum Fuse Size 27 Amps
- R410a Refrigerant
- Two 60,000 BTU/HR Copeland Scroll Compressors
- Dimensions: 89" wide, 36" long, 77" tall
- Decibels: 84

SIDE



FRONT



P.O. Box 1696 Bastrop, Texas 78602 Tel 512-303-1529

www.chillking.com