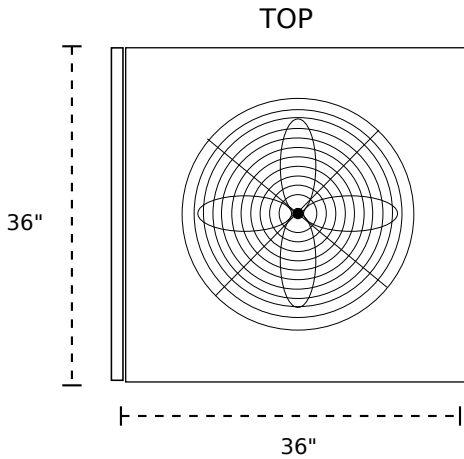


# DehuKing



## MODEL DU05T07UV172-1376-4

### SPECIFICATIONS:

- 5 ton dehumidifier
- 7 gallons per hour, 172 gallons per day, 1376 pints per day
- 14 pints per KW
- Ultraviolet purification
- Electrical: 460V, 60hz three phase
- Minimum Circuit Ampacity: 11, Maximum Fuse Size 18 Amps
- R410a Refrigerant
- One 60,000 BTU/HR Copeland Scroll Compressors
- Dimensions: 36" wide, 36" long, 67" tall
- Decibels: 84

