

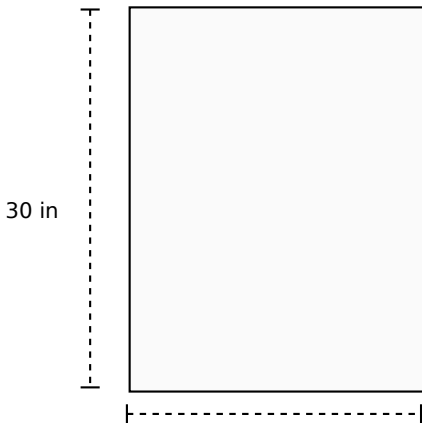
DehuKing



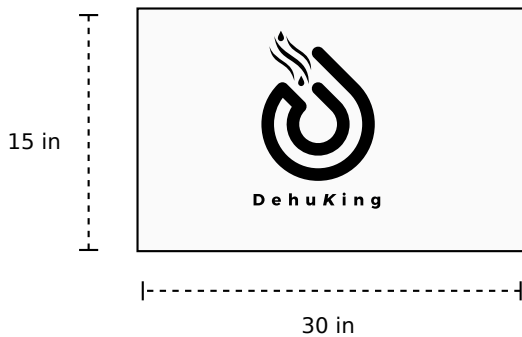
MODEL DU02T03UV069-552-1

SPECIFICATIONS:

- 2 ton dehumidifier
- 3 gallons per hour, 69 gallons per day, 552 pints per day
- 9.97 pints per KW
- Ultraviolet purification
- Electrical: 208/230V, 60hz Single phase
- Minimum Circuit Ampacity: 11.7, Maximum Fuse Size 15 Amps
- R410a Refrigerant
- One 24,000 BTU/HR Copeland Scroll Compressors
- Dimensions: 18.5" wide, 30" long, 15" tall
- Decibels: 84



SIDE



FRONT

